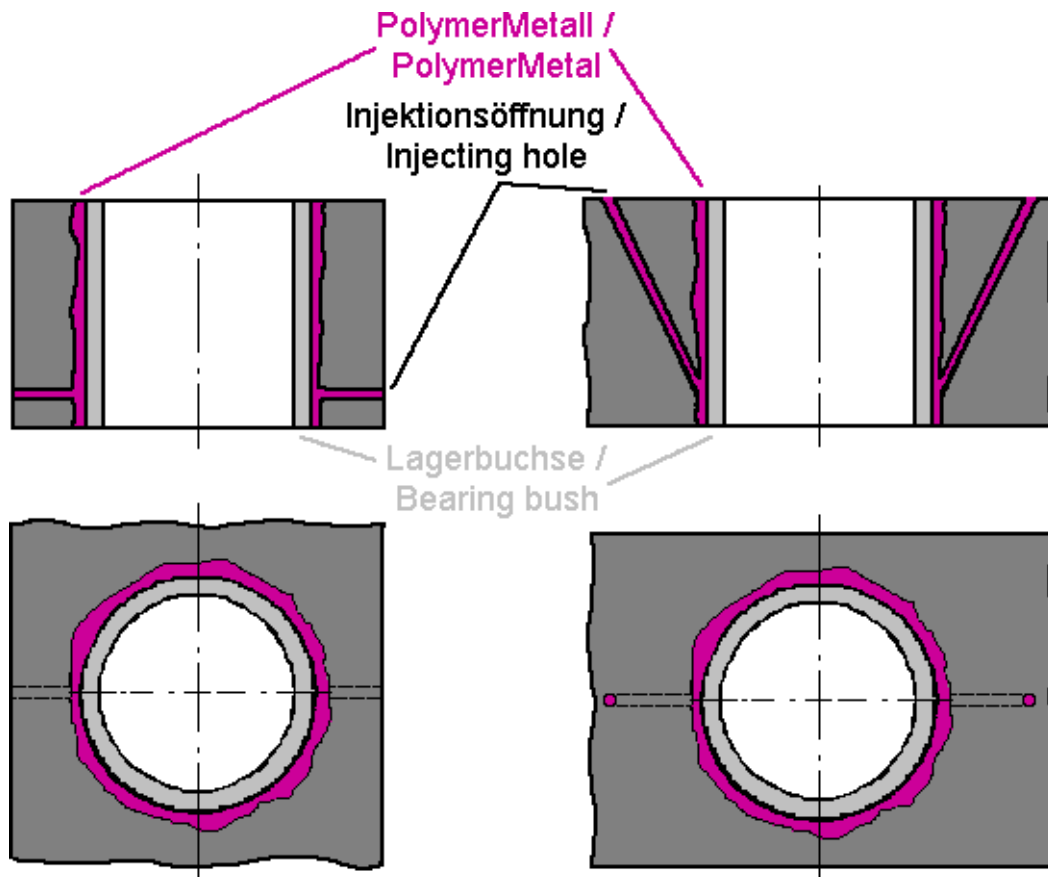


TEC-# 019

Injection of PolymerMetal

Used products

MM-metal SS-steel 382, liquid / MM-metal SS-steel, liquid / Ceramium®, liquid



Description

Next to a pasty or brushable application consistency many PolymerMetals are available in a liquid application consistency, too. An essential advantage of these liquid PolymerMetals is that they can be injected at e.g. difficult accessible repair sites to fill up hollow spaces or gaps in components. Air bubbles embedded in the PolymerMetal do have a bad influence on the bonding between PolymerMetal and the component. Therefore it is important, that the air can escape from the area which is supposed to be filled with PolymerMetal. We recommend drilling a channel, so the PolymerMetal can be injected. The channel should be constructed in a way that through the injection hole the PolymerMetal fills the space or gap from the bottom to the top so that the trapped air can escape.

MultiMetall
the MetalExistenceCompany®